

MRC-XXXHWN1-R(C)

RoofTop Air/Air

Condensé par air

Installation extérieure



- ▣ Technologie avec compresseurs on/off
- ▣ Polyvalence d'application avec une approche modulaire
- ▣ Réfrigérant R410A
- ▣ Haut rendement saisonnier et à pleine charge avec des dimensions compactes

Fonctions et caractéristiques



Pompe à
chaleur



Condensé
par air



Installation
extérieure



Compresseur
scroll

Optimisation de la conception du système

Pour obtenir le plus de confort avec la plus faible consommation d'énergie avec POWERs, il est important de prendre en compte les considérations suivantes :

♣ Choisissez des émetteurs de chaleur qui permettent au système de pompe à chaleur de fonctionner à une température d'eau chaude aussi basse que possible tout en assurant un chauffage suffisant.

Caractéristiques techniques

Nominal ton		(Ton)	7.5	10	12.5		
Model			MRC-075HWN1-R(C)	MRC-100HWN1-R(C)	MRC-125HWN1-R(C)		
Power supply		\	380 - 415V, 3Ph~, 50Hz	380 - 415V, 3Ph~, 50Hz	380 - 415V, 3Ph~, 50Hz		
Cooling	Cooling capacity	Btu/h	89,000	120,000	150,000		
		kW	26.0	35.0	44.0		
	Power input	kW	7.9	10.7	13.3		
Heating	Heating capacity	Btu/h	103,000	137,000	154,000		
		kW	30.0	40.0	45.0		
	Power input	kW	8.9	11.9	13.2		
Max. input consumption		kW	12.0	16.0	19.7		
Max. current		A	24.8	28.8	38.2		
Performance	Indoor air flow	CFM	2,830	4,100	5,500		
	ESP	Pa	Default: 80; 0 - 250	Default: 90; 0 - 250	Default: 110; 0 - 275		
	EER	Btu/h.W	11.3	11.2	11.3		
	COP	Btu/h.W	11.6	11.5	11.7		
Indoor coil	Number of rows	\	3	4	4+4		
	Fin spacing	mm	1.3	1.5	1.3+1.3		
	Fin type	\	Hydrophilic aluminum fin	Hydrophilic aluminum fin	Hydrophilic aluminum fin		
	Tube diameter	mm	Φ7	Φ7	Φ7+Φ7		
	Tube type	\	Inner grooved copper pipe	Inner grooved copper pipe	Inner grooved copper pipe		
Indoor fan	Type / Quantity	\	Centrifugal / 1	Centrifugal / 1	Centrifugal / 1		
	Drive type	\	Direct	Belt	Belt		
	Motor quantity	\	1	1	1		
	Motor model	\	YKS-750-4-2	YKS-1500-4-9	YKSJ-3000-4-11		
	Motor capacitor	\	25µF/450V	\	\		
	Motor input	W	1,600/1,350/1,150	\	\		
	Motor speed	RPM	1,090/985/895	1,400	1,420		
Compressor	Type	\	Scroll / 1	Scroll / 2		Scroll / 2	
	Model	\	HCJ106	E654DH-65D2G	E654DH-65D2G	ZP61KCE-TFD-522	ZP122KCE-TFD-522
	Brand	\	Danfoss	Hitachi	Hitachi	Copeland	Copeland
	Capacity	W	26,100	17,100	17,100	14,700	29,900
	Input	W	8,080	5,700	5,700	4,750	9,190
	RLA	A	14.3	9.6	9.6	10.9	18
	LRA	A	121.2	66	66	64	127
	Refrigerant oil	ml	2,460	1,300	1,300	1,685	2,513
Outdoor coil	Number of rows	\	3	2.5	3		
	Fin spacing	mm	1.5	1.5	1.5		
	Fin type	\	Hydrophilic aluminum fin	Hydrophilic aluminum fin	Hydrophilic aluminum fin		
	Tube diameter	mm	Φ7	Φ7	Φ7		
	Tube type	\	Inner grooved copper pipe	Inner grooved copper pipe	Inner grooved copper pipe		

Caractéristiques techniques

Nominal ton		(Ton)	7.5	10	12.5
Model			MRC-075HN1-R(C)	MRC-100HWN1-R(C)	MRC-125HWN1-R(C)
Outdoor fan	Type	\	Axial	Axial	Axial
	Quantity	\	1	1	1
	Drive type	\	Direct	Direct	Direct
	Motor quantity	\	1	1	1
	Motor model	\	YKS-580-6-1	YKSJ-1100-6-8	YKSJ-1100-6-3
	Motor capacitor	\	25µF/450V	\	\
	Motor input	W	820/505	\	1,120/965
	Fan speed	RPM	870/640	1,120/965	\
Refrigerant	Type	\	R410A	R410A	R410A
	Volume	kg	4.8	2.9+2.9	3.4+2.1
	Control	\	Throttle valve	Throttle valve	Throttle valve
Sound pressure level		dB(A)	72.1	71.5	71.8
Wired controller		\	KJR-25B	KJR-12B/dP(T)-E(B)	KJR-12B/dP(T)-E(B)
Centralized controller (Optional)		\	No	Yes	Yes
Ambient temperature (Cooling)		°C	10 - 46	10 - 46	10 - 46
Ambient temperature (Heating)		°C	-9 - 24	-9 - 24	-9 - 24
System stage		\	1	2	2
Dimensions	Net (W×H×D)	mm	1,475×840×1,130	1,483×1,231×1,138	1,965×1,230×1,130
	Packing (W×H×D)	mm	1,495×870×1,150	1,500×1,255×1,155	1,995×1,255×1,160
Weight	Net	kg	244	343	451
	Gross	kg	249	354	471

Caractéristiques techniques

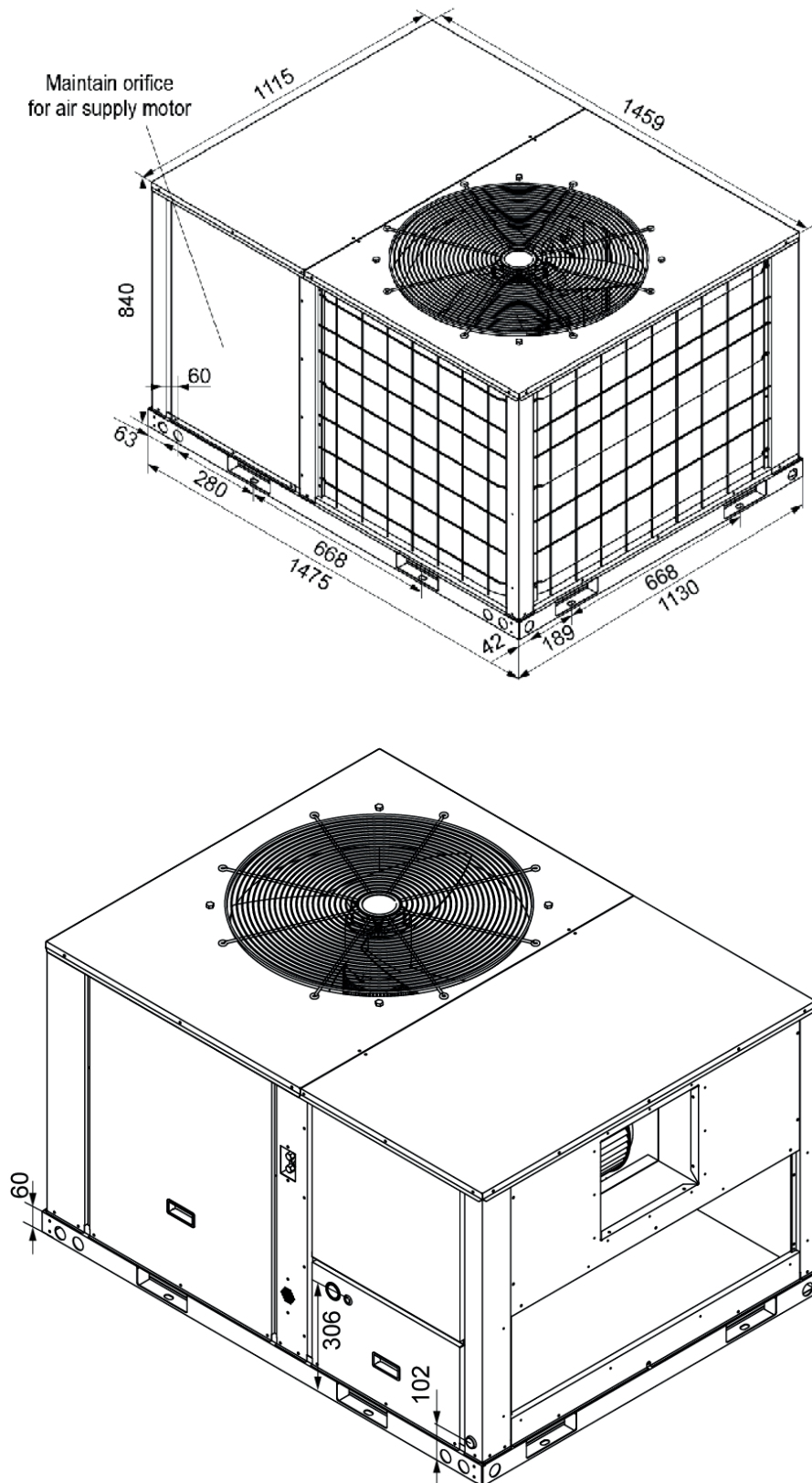
Nominal ton		(Ton)	17.5		25		30	
Model			MRC-175HWN1-R(C)		MRC-250HWN1-R(C)		MRC-300HWN1-R(C)	
Power supply		\	380 - 415V, 3Ph~, 50Hz		380 - 415V, 3Ph~, 50Hz		380 - 415V, 3Ph~, 50Hz	
Cooling	Cooling capacity	Btu/h	208,000		300,000		335,000	
		kW	61.0		88.0		98.0	
	Power input	kW	19.1		28.9		32.8	
Heating	Heating capacity	Btu/h	218,000		330,000		380,000	
		kW	64.0		97.0		111.5	
	Power input	kW	19.5		30.3		36.5	
Max. input consumption		kW	27.0		38.5		49.5	
Max. current		A	55.4		74.3		81.7	
Performance	Indoor air flow	CFM	7,600		10,000		11,200	
	ESP	Pa	Default: 110; 0 - 250		Default: 130; 0 - 350		Default: 270; 25 - 400	
	EER	Btu/h.W	10.9		10.4		10.2	
	COP	Btu/h.W	11.2		10.9		10.4	
Indoor coil	Number of rows	\	3		4		4	
	Fin spacing	mm	1.3		1.6		1.6	
	Fin type	\	Hydrophilic aluminum fin		Hydrophilic aluminum fin		Hydrophilic aluminum fin	
	Tube diameter	mm	Ø7		Ø8		Ø8	
	Tube type	\	Inner grooved copper pipe		Inner grooved copper pipe		Inner grooved copper pipe	
Indoor fan	Type / Quantity	\	Centrifugal / 1		Centrifugal / 1		Centrifugal / 1	
	Drive type	\	Belt		Belt		Belt	
	Motor quantity	\	1		1		1	
	Motor model	\	YKSJ-4000-4-9		YKSJ-7500-4-14		YKSJ-7500-4-14	
	Motor capacitor	\	\		\		\	
	Motor input	W	\		\		\	
	Motor speed	RPM	1,440		1,440		1,440	
Compressor	Type / Quantity	\	Scroll / 2		Scroll / 2		Scroll / 2	
	Model	\	ZP122KCE-TFD-522	ZP122KCE-TFD-522	SH161A4ALC	SH161A4ALC	SH184A4ALC	SH184A4ALC
	Brand	\	Copeland	Copeland	Danfoss	Danfoss	Danfoss	Danfoss
	Capacity	W	29,900	29,900	38,800	38,800	44,661	44,661
	Input	W	9,190	9,190	12,145	12,145	13,732	13,732
	RLA	A	18	18	23.6	23.6	27.6	27.6
	LRA	A	127	127	158	158	197	197
	Refrigerant oil	ml	2,513	2,513	3,300	3,300	3,600	3,600
Outdoor coil	Number of rows	\	2.5+2.5		3+2+3+2		3+3+3+3	
	Fin spacing	mm	1.5+1.5		1.6+1.6+1.6+1.6		1.6+1.6+1.6+1.6	
	Fin type	\	Hydrophilic aluminum fin		Hydrophilic aluminum fin		Hydrophilic aluminum fin	
	Tube diameter	mm	Ø7+Ø7		Ø8+Ø8+Ø8+Ø8		Ø8+Ø8+Ø8+Ø8	
	Tube type	\	Inner grooved copper pipe		Inner grooved copper pipe		Inner grooved copper pipe	

Caractéristiques techniques

Nominal ton		(Ton)	17.5	25	30
Model			MRC-175HWN1-R(C)	MRC-250HWN1-R(C)	MRC-300HWN1-R(C)
Outdoor fan	Type	\	Axial	Axial	Axial
	Quantity	\	2	2	2
	Drive type	\	Direct	Direct	Direct
	Motor quantity	\	2	2	2
	Motor model	\	YKS-550-6-4-2	YKSJ-1500-6-7	YKSJ-1500-6-7
	Motor capacitor	\	25µF/450V	\	\
	Motor input	W	740/640	\	\
	Fan speed	RPM	880/810	910	910
Refrigerant	Type	\	R410A	R410A	R410A
	Volume	kg	5.8+5.8	8.7+8.7	10+10
	Control	\	Throttle valve	Capillary	Capillary
Sound pressure level		dB(A)	76.0	76.8	77.9
Wired controller		\	KJR-12B/dP(T)-E(B)	KJR-12B/dP(T)-E(B)	KJR-12B/dP(T)-E(B)
Centralized controller (Optional)		\	Yes	Yes	Yes
Ambient temperature (Cooling)		°C	10 - 46	10 - 46	10 - 46
Ambient temperature (Heating)		°C	-9 - 24	-9 - 24	-9 -24
System stage		\	2	2	2
Dimensions	Net (W×H×D)	mm	1,670×1,247×2,192	2,320×1,245×2,220	2,320×1,245×2,220
	Packing (W×H×D)	mm	1,695×1,284×2,212	2,330×1,275×2,230	2,330×1,275×2,230
Weight	Net	kg	615	940	970
	Gross	kg	645	970	1,000

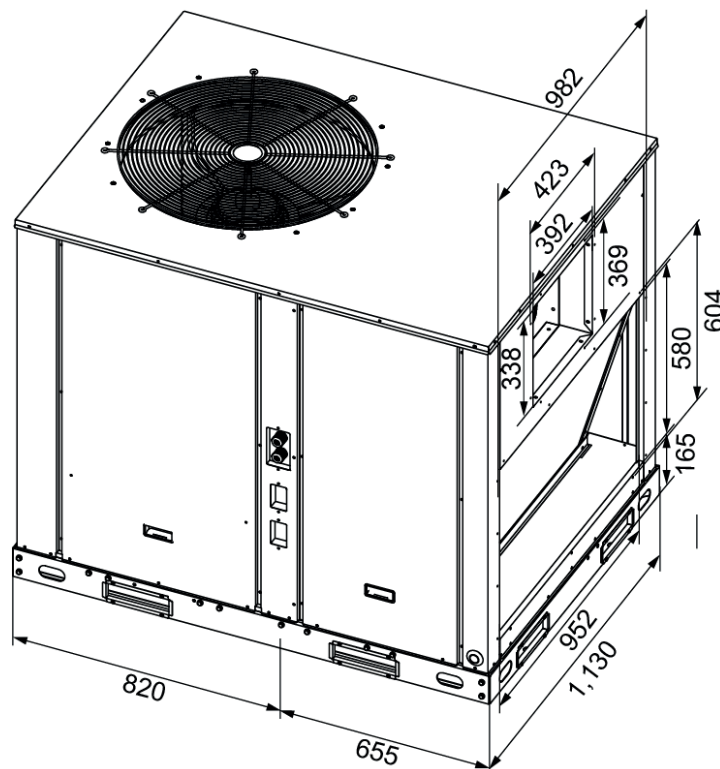
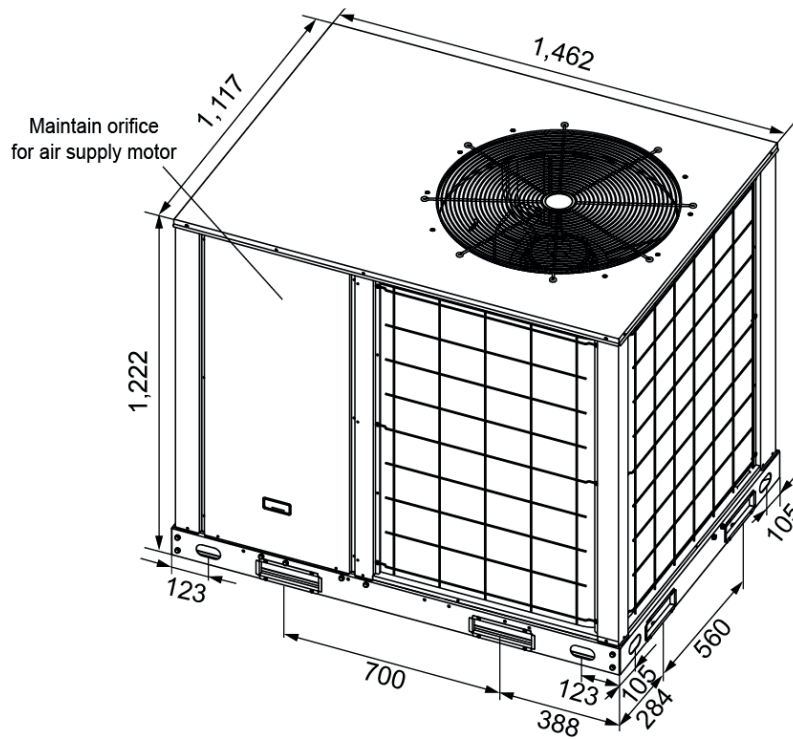
Dimensions du dessin

MRC -062HWN1 -R(C) , MRC -075HWN1 -R(C) : (Unit: mm)



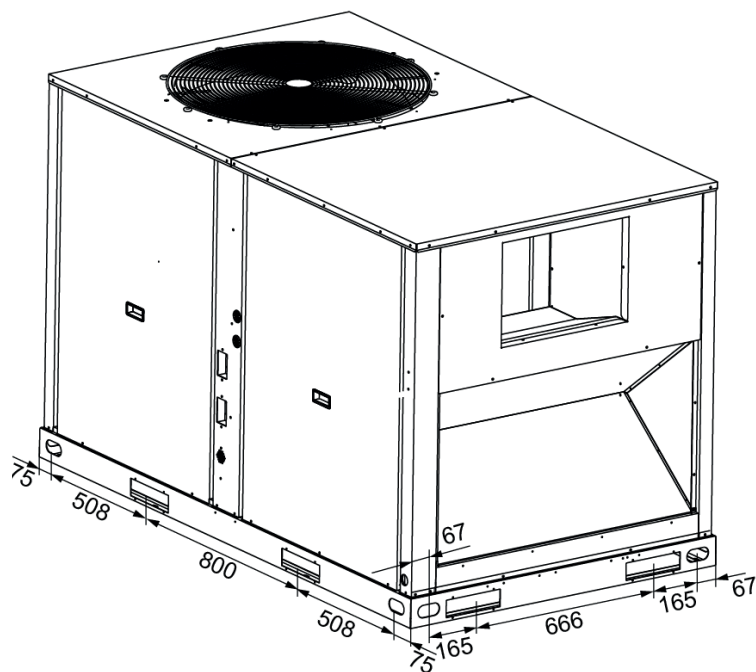
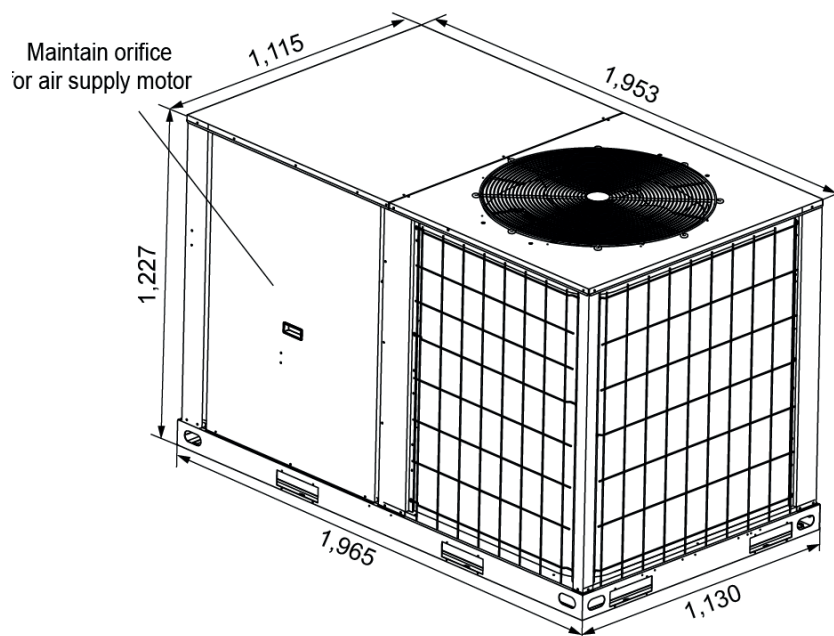
Dimensions du dessin

MRC -085HWN1 -R(C) , MRC -100HWN1 -R(C) (Unit: mm)



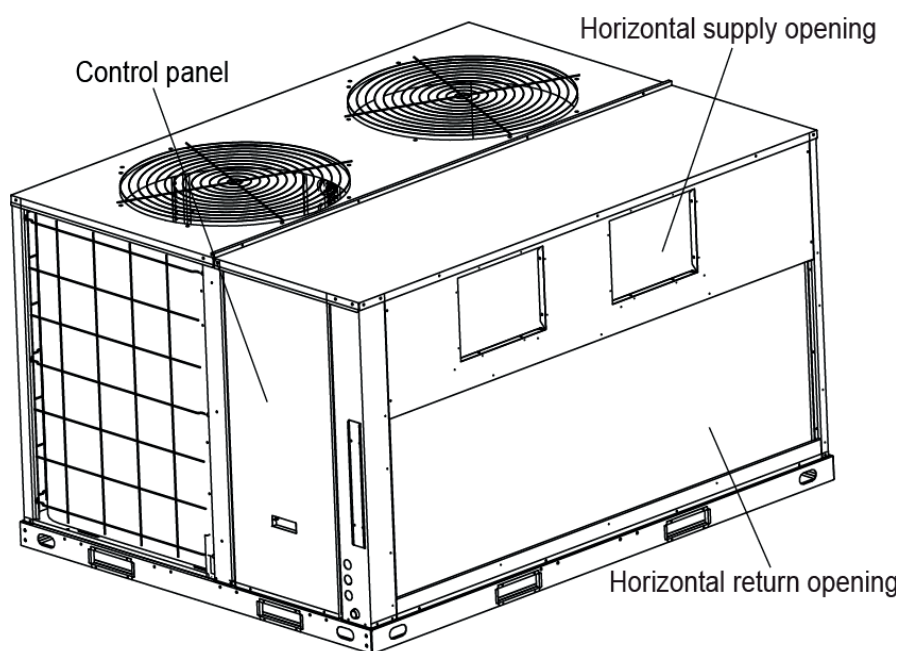
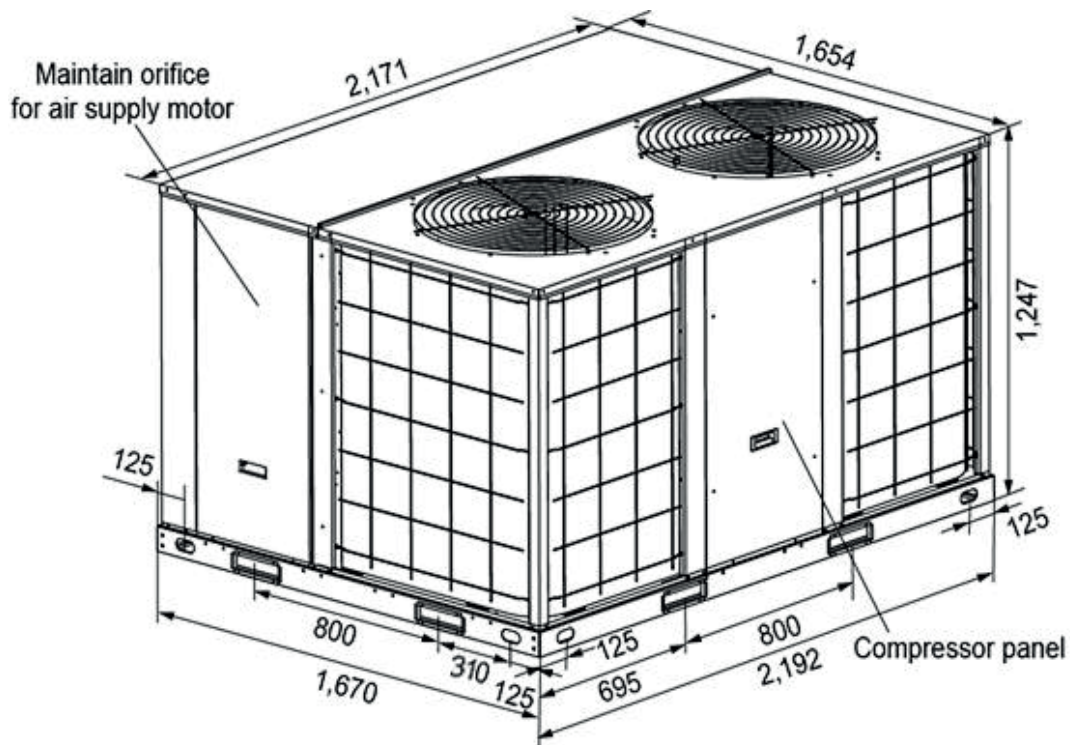
Dimensions du dessin

MRC -125HWN1 -R(C) , MRC -150HWN1 -R(C) : (Unit: mm)



Dimensions du dessin

MRC -175HWN1 -R(C) , MRC -200HWN1 -R(C) : (Unit: mm)



Dimensions du dessin

MRC -250HWN1 -R(C) , MRC -300HWN1 -R(C) : (Unit: mm)

